

SL 20i/25i

OPHTHALMIC DIAGNOSIS



A PERFECT FIT FOR EYECARE PROVIDERS

SL 20i



A sturdy stand with fluid mechanical movement provides ergonomic benefits for hours of use. Apochromatic optics provide the clearest possible view of the anterior and posterior segments of the patient's eye.

The SL 20i is a nimble system that puts diagnostic essentials at the fingertips of eye care professionals. This microscope delivers all the performance features of the SL 25i in optical and mechanical performance, but with a more compact bottom illumination system without any inclination. This ensures that SL 20i provides doctors with greater space efficiency. The SL 25i delivers ultimate value with a well-designed 2-step optical system for gonioscopy with an efficient 5W LED tower style illumination system inclinable at four steps 5° each.

SL 25i



LABOMED's *MaxLite™* coated optics, standard in all SLi series Slit-lamps, yield crisp and detailed images. *MaxLite™* coatings provide the highest throughput of light, thanks to superb anti-reflective properties. These optics are anti-fungal, anti-fog and scratch resistant in addition to producing true-to-life resolution.

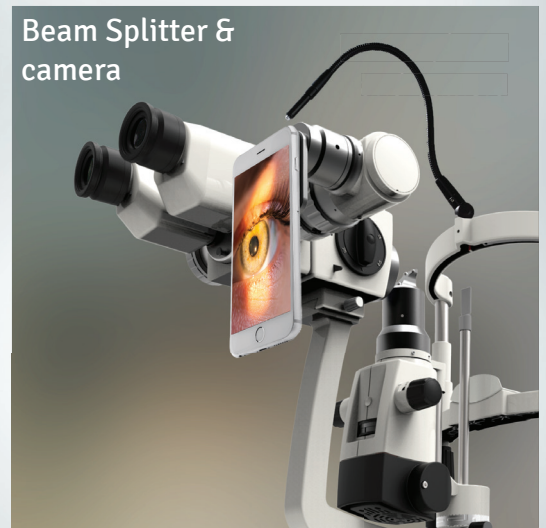
LABOMED SLi Series Slit lamps are sturdy instruments built with fluidity in movement and ergonomics to benefit hours of use.

TWO SLIT LAMP STYLES TO MEET THE NEEDS OF A

The SLi series accessories provide an array of options based on the needs of the doctor's practice. IOP readings are available with the addition of a tonometer. A host of beam splitters and adapters make it possible to integrate third party cameras.



All optics are lead free and all paints used have antimicrobial additives that prevent the growth of bacteria on contact surfaces, ensuring a healthier working environment. All parts in contact with patient are anti-toxic and anti-irritation.

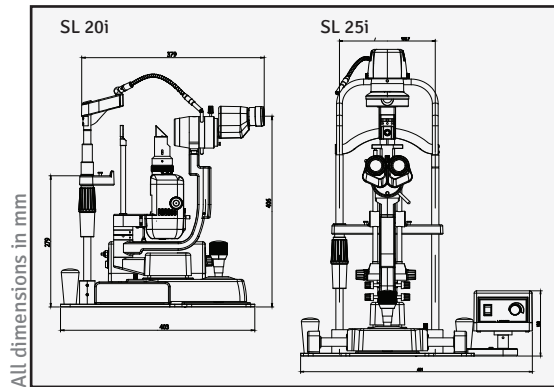


“To help doctors for their documentation needs Labomed SL Proline range of camera adapters & smart phone adapters are helpful for still imaging or videography needs”



SLi SLIT LAMP SERIES

	SL 20i		SL25i
Microscope	Galilean		Galilean
Magnification	2 step: 10X, 16X		2 step: 10X, 16X
Eyepieces	WF 10X/18 mm, dioptre adj. ± 5 mm 12.5x optional		WF 10X/18 mm, dioptre adj. ± 5 mm 12.5x optional
IPD range	49 - 78 mm		49 - 78 mm
Slit length	0 - 14 mm		0 - 12 mm
Slit apertures	1, 2, 3, 5,8,10 & 14 mm		0.3, 1, 3, 5, 9 & 12 mm
Slit rotation	0 - 180°		0 - 180°
Slit tilt	-		20° (Four inclination steps 5° each)
Filters	Red free & Cobalt blue		Red free, Cobalt blue, Heat absorbing, Neutral density
Magnification	Obj. Eye pc Mag FOV(mm)		Obj. Eye pc Mag FOV(mm)
	1 12.5 10 22.5		1 12.5 10 22.5
	1.6 12.5 16 14.1		1.6 12.5 16 14.1
	1 10 8 22.5		1 10 8 22.5
	1.6 10 12.8 14.1		1.6 10 12.8 14.1
Movement ranges:			
Longitudinal (in/out)	80 mm		80 mm
Lateral (left/right)	109 mm		109 mm
Vertical (up/down)	30 mm		30 mm
Chin rest range	80 mm		80 mm
Illumination	5W LED		5W LED
Table base size	367 mm X 360 mm X 5.5, Metal		367 mm X 360 mm X 5.5, Metal
Weight	25 kg (packed)		30 kg (packed)
Optional accessories	Tonometer, Breath shield, Beam splitter, Camera adapter, Diffuser, Motorized table, Smart phone adapters		



DESCRIPTION

SL 20i LED
SL 25i LED

CONFIGURATION

2 step Slit Lamp
2 step Slit Lamp

CATALOG NO.

8126701
8127701



Labomed Europe b.v.

Essebaan 50
2908 LK Capelle aan den IJssel
The Netherlands
info@labomedeuropa.com
Tel: +31(0)10-4584222
Fax: +31(0)10-4508251

www.labomedeuropa.com



LABOMED®

Distributor